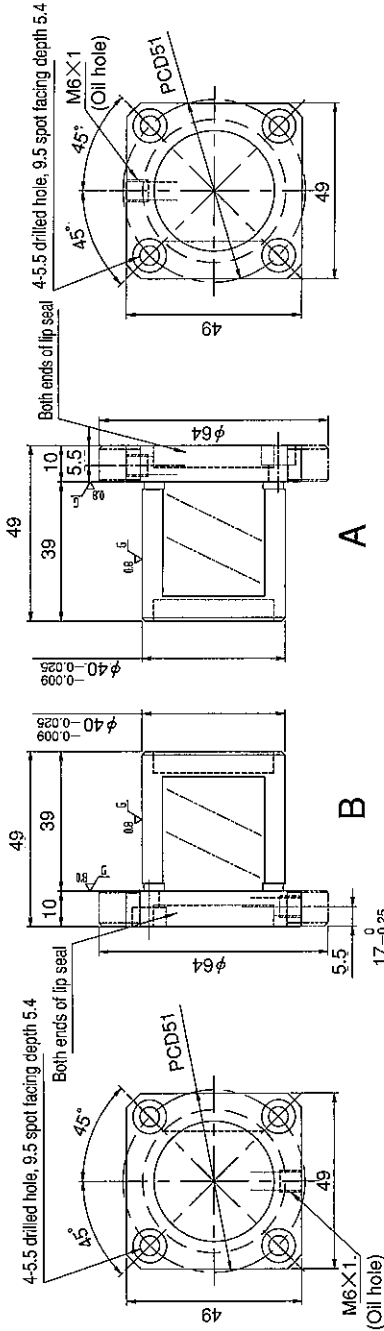


SHAFT END FINISH ORDERING SHEET

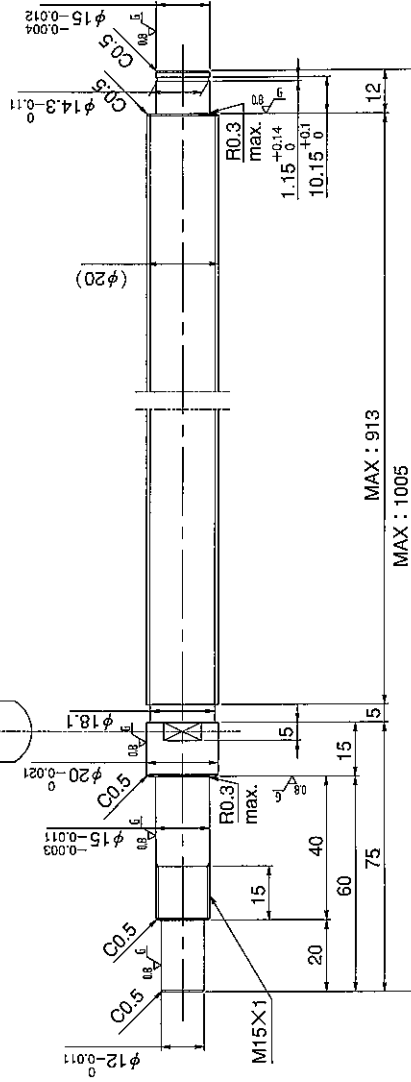
Screw shaft diameter $\phi 20$, Lead 4

(Unit : mm)

GE2004ES-AALR-	<input type="checkbox"/>	<input type="checkbox"/>	<input type="checkbox"/>	<input type="checkbox"/>	<input type="checkbox"/>	<input type="checkbox"/>	<input type="checkbox"/>	<input checked="" type="checkbox"/>	-C7M
GG2004ES-AALR-	<input type="checkbox"/>	<input type="checkbox"/>	<input type="checkbox"/>	<input type="checkbox"/>	<input type="checkbox"/>	<input type="checkbox"/>	<input type="checkbox"/>	<input checked="" type="checkbox"/>	-C5



Select the orientation of nut flange by circling A or B.
No marking means "B" orientation as default.



Applicable Support Unit
 Direct mount : BUK-15A (Fixed end unit+Supported end unit) Refer to Page.406
 Circle flange : BUM-15 (Fixed end unit+Supported end bearing) Refer to Page.413

Company Name	
Telephone	Name of Person in Charge
Company Address	