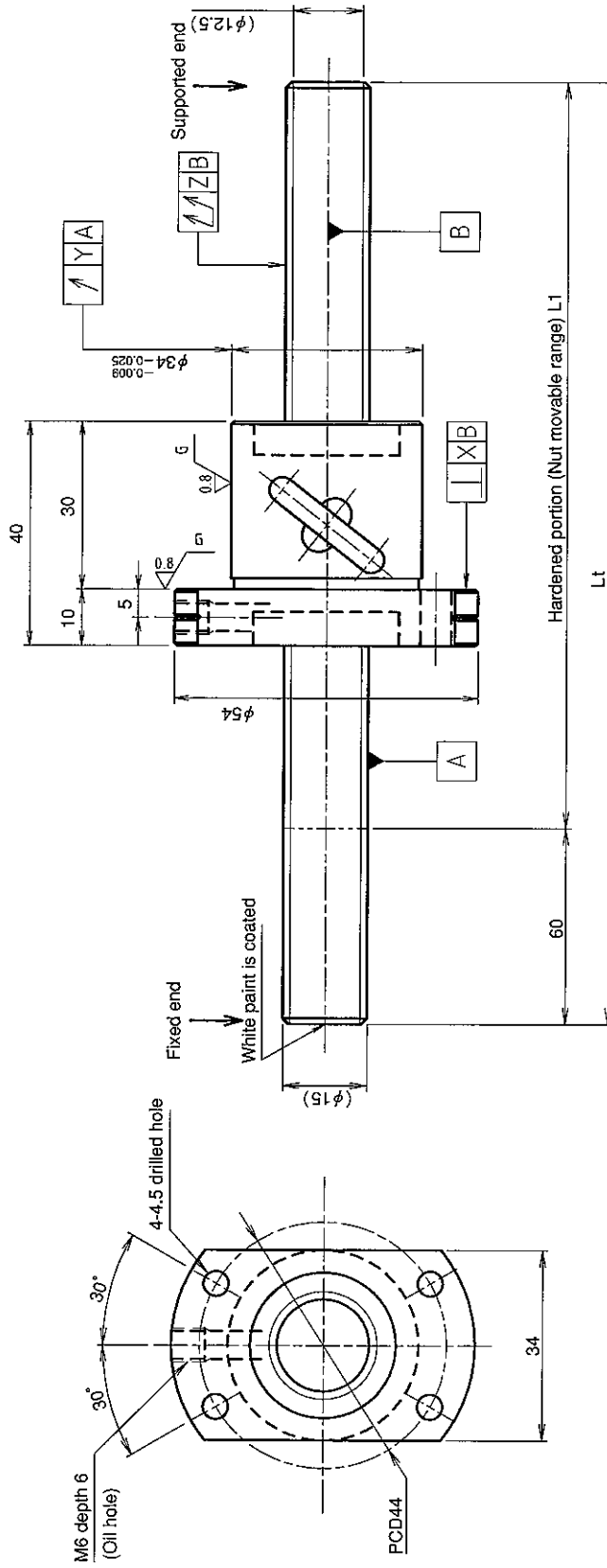


UNFINISHED SHAFT ENDS

Screw shaft diameter $\phi 15$, Lead 5 (U nut)

(Unit : mm)



Ball screw specifications

Screw shaft dia.	15	Basic dynamic load rating	5100N
Lead	5	Basic static load rating	10500N
Thread direction	Right-hand	Lubricant	Alvania Grease No.2
Number of circuits	2.5turn 1circuit	Surface treatment	Without
Ball diameter	3.175		

Table of optional specifications for each model

Additional machining of shaft end	Surface treatment (Note 1)	Difference of grease	Direction of nut	Wiper removal
○	○	○	○	○

(Note 1) The above-mentioned surface treatment is LD treatment (coating thickness : 1 to 2 μ m).

Model No.	Axial clearance	L ₁	L _t	X	Y	Z	Wiper
GW1505DS-HULR-0600A	~0.030	540	600	0.025	0.025	0.070	Lip seal
GW1505DS-HULR-1200A		1140	1200			0.170	

- Notation of standard rolled ball screw**
- Standard length shaft without end machining
GW1505DS-HULR-□□□□A
 - With end machining specified on your drawing
GW1505DS-HULR-□□□□X□□□□-C7Y

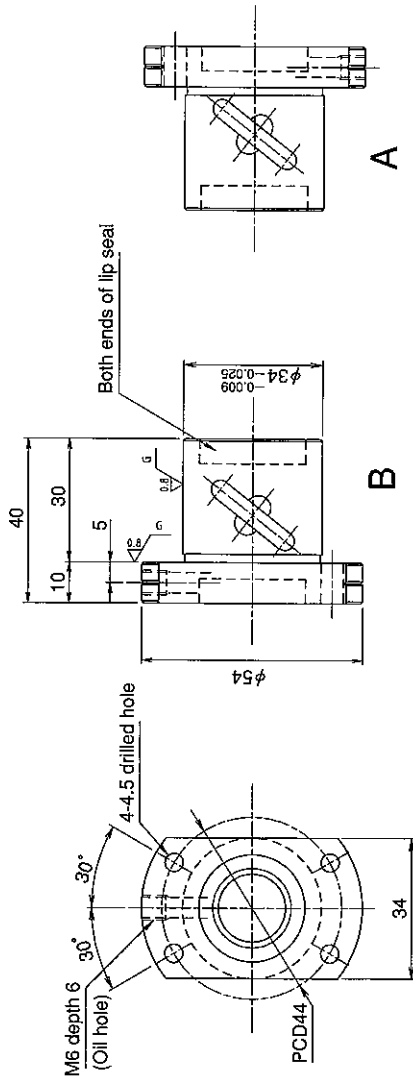
Overall length Thread length

SHAFT END FINISH ORDERING SHEET

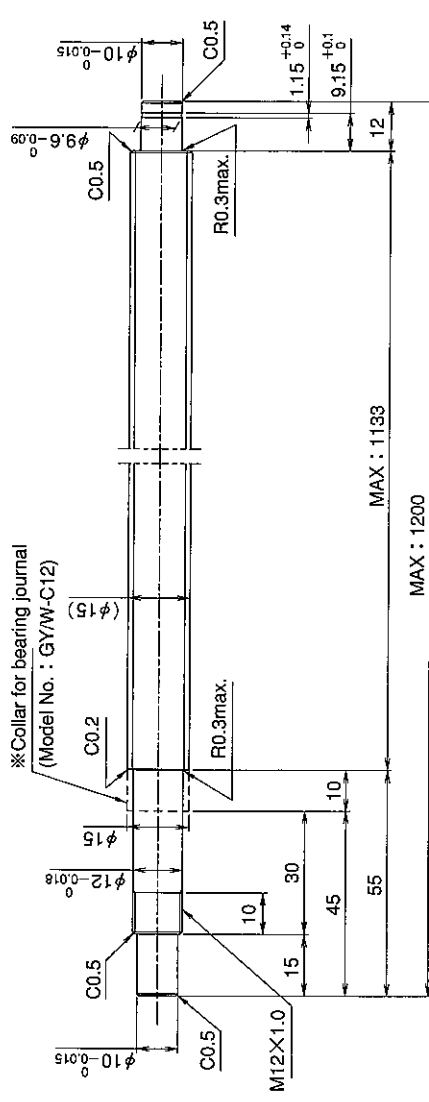
Screw shaft diameter $\phi 15$, Lead 5 (U nut)

(Unit : mm)

GW1505DS-HULR- X -C7Y



Select the orientation of nut flange by circling A or B.
No marking means "B" orientation as default.



※Please place an order for collar separately.
Applicable Support Unit
Direct mount : BUK-12A (Fixed end unit+Supported end unit) Refer to Page.405
Circle flange : BUM-12 (Fixed end unit+Supported end bearing) Refer to Page.412

Company Name	
Telephone	Name of Person in Charge
Company Address	

Refer to page 24 for NOTATION OF MODEL NUMBER.