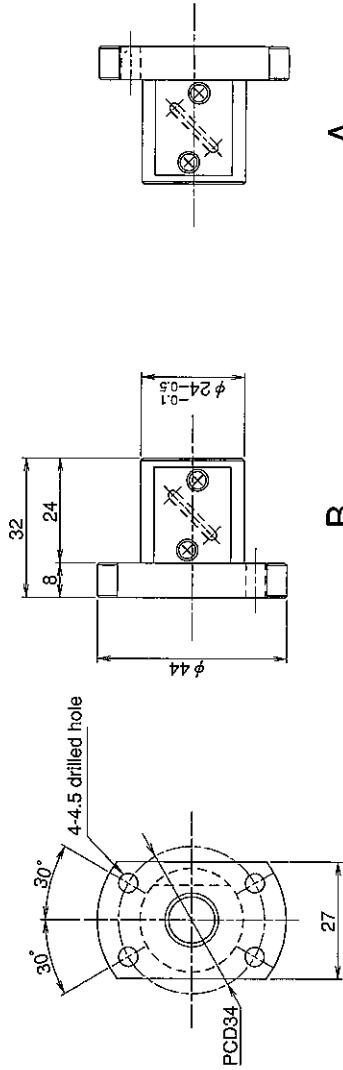


SHAFT END FINISH ORDERING SHEET

Screw shaft diameter $\phi 10$, Lead 2.5 (M nut)

(Unit : mm)

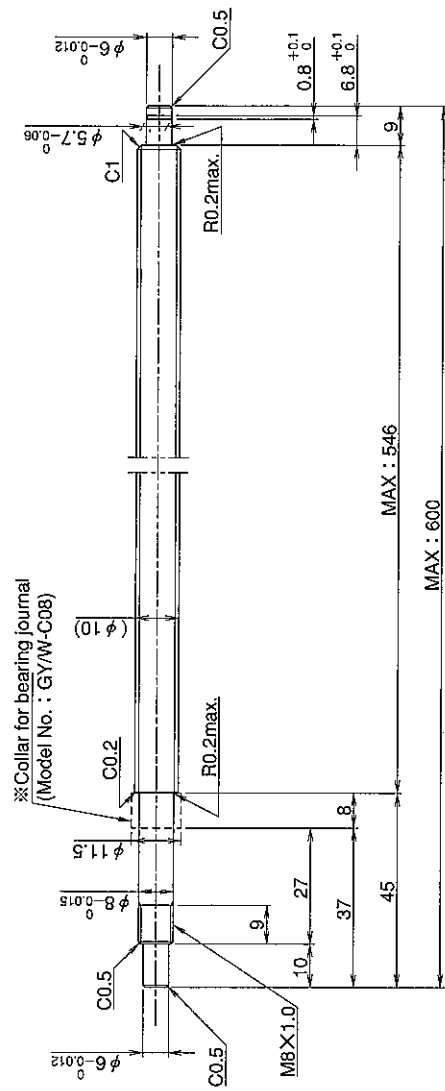
GY102FGS-HG NR- X -CAY



B

A

Select the orientation of nut flange by circling A or B.
No marking means "B" orientation as default.



※ Please place an order for collar separately.

Applicable Support Unit

Direct mount : BUK-8A (Fixed end unit + Supported end unit) Refer to Page.403

Circle flange : BUM-8 (Fixed end unit + Supported end bearing) Refer to Page.410

Company Name	
Telephone	Name of Person in Charge
Company Address	