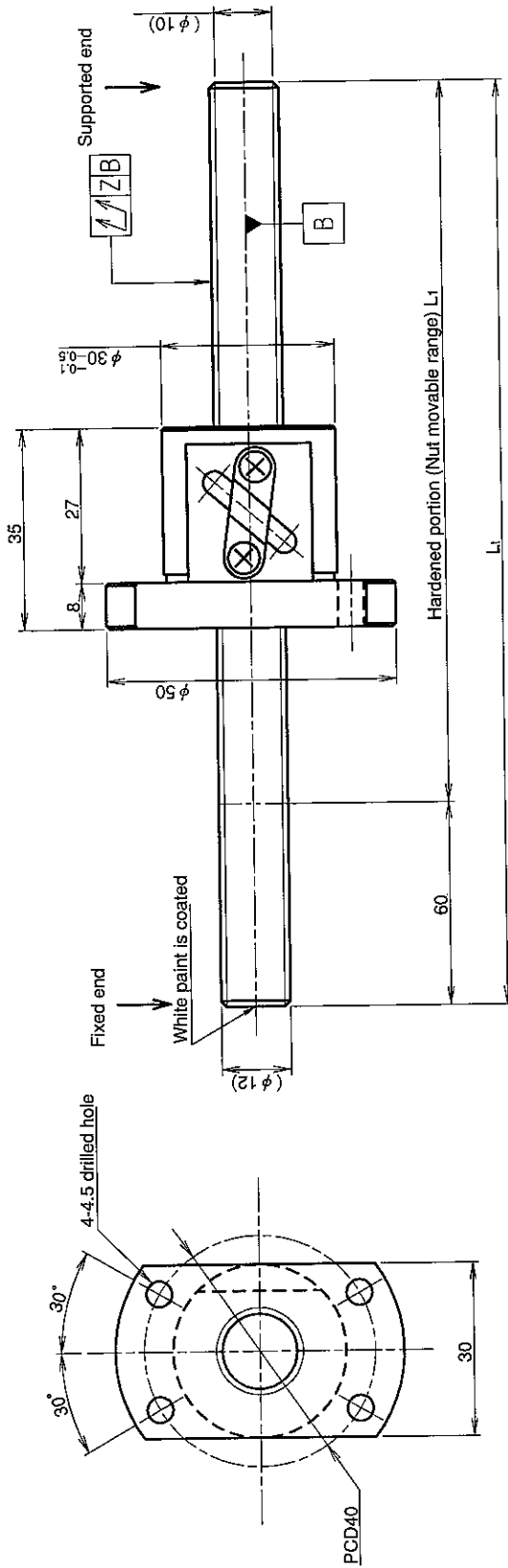


UNFINISHED SHAFT ENDS

Screw shaft diameter ϕ 12, Lead 4 (M nut)

(Unit : mm)



Ball screw specifications

Screw shaft dia.	12	Basic dynamic load rating	2600N
Lead	4	Basic static load rating	5800N
Thread direction	Right-hand	Lubricant	Alvania Grease No.2
Number of circuits	2.5turn (circuit)	Surface treatment	Phosphate coating
Ball diameter	2.3812		

Table of optional specifications for each model

Additional machining of shaft end	Surface treatment (Note 1)	Difference of grease	Direction of nut
<input type="radio"/>	<input type="radio"/>	<input type="radio"/>	<input type="radio"/>

(Note 1) The above-mentioned surface treatment is LD treatment (coating thickness : 1 to 2 μ m).

Model No.	Axial clearance	L ₁	L _t	Z	Wiper
GY1204DS-HANR-0400A	~0.050	340	400	0.150	Without
GY1204DS-HANR-0800A		740	800	0.320	

Notation of standard rolled ball screw

- Standard length shaft without end machining (Matched screw shaft and nut)
GY1204DS-HANR-A
- Nut only without screw shaft
GY1204DS-HANR-A
- Screw shaft only without end machining
GY1204ZZ-ZZZZ-D

- With end machining specified on your drawing (Matched screw shaft and nut)
GY1204DS-HANR-X-CAY
- With end machining specified on your drawing (Screw shaft only)
GY1204ZZ-ZZZZ-Y-CAY

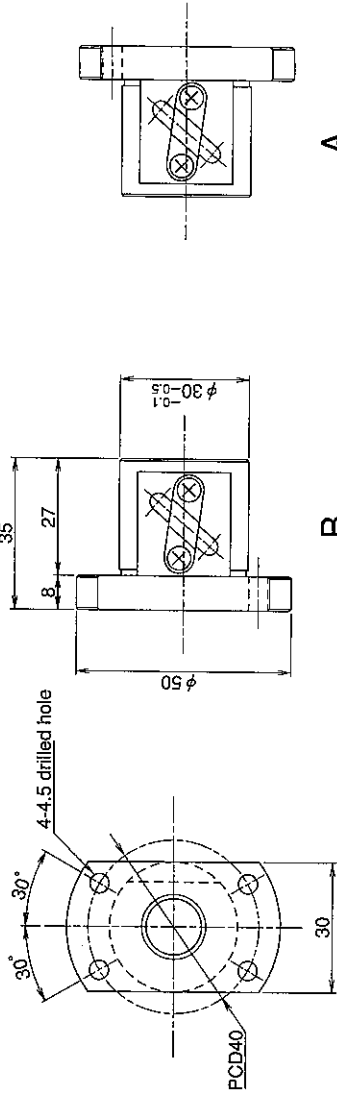
Overall length Thread length

SHAFT END FINISH ORDERING SHEET

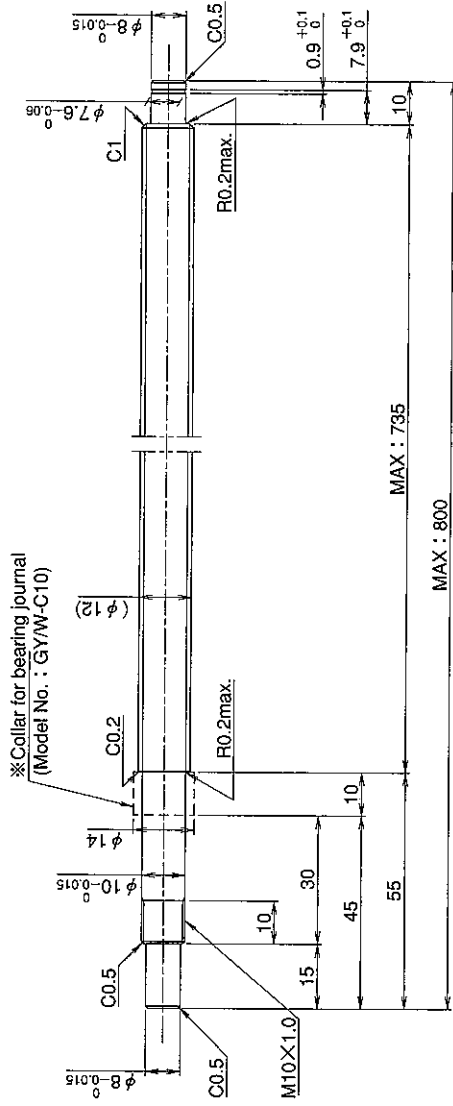
Screw shaft diameter $\phi 12$, Lead 4 (M nut)

(Unit : mm)

GY1204DS-HANR- X -CAY



A
Select the orientation of nut flange by circling A or B.
No marking means "B" orientation as default.



※ Please place an order for collar separately.
Applicable Support Unit
Direct mount : BUK-10A (Fixed end unit + Supported end unit) Refer to Page.404
Circle flange : BUM-10 (Fixed end unit + Supported end bearing) Refer to Page.411

Company Name	
Telephone	Name of Person in Charge
Company Address	