

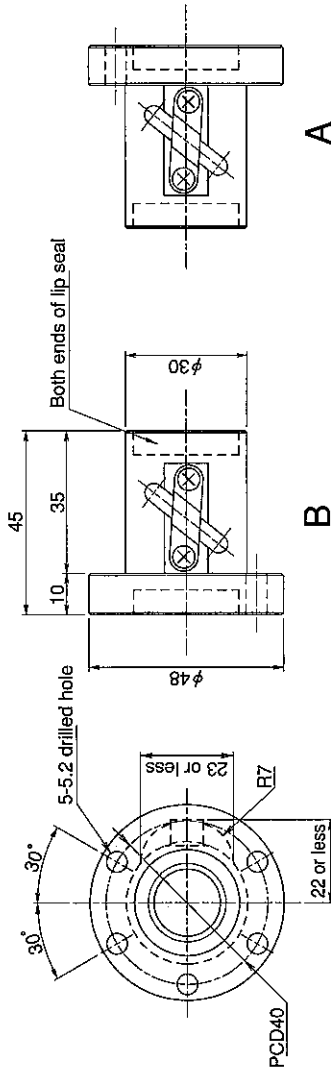


**SHAFT END FINISH ORDERING SHEET**

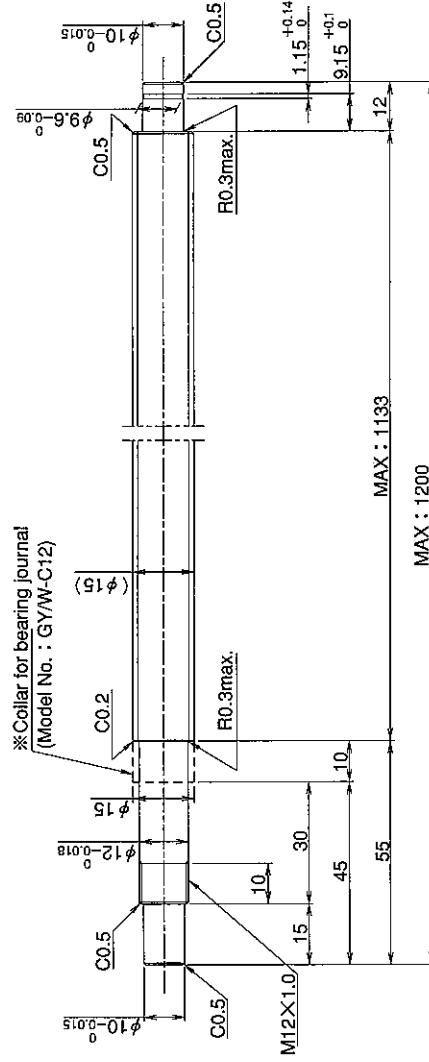
Screw shaft diameter  $\phi 15$ , Lead 5 (T nut)

(Unit : mm)

GY1505DS-CTLR-     X    -CAY



**A**  
Select the orientation of nut flange by circling A or B.  
No marking means "B" orientation as default.



※ Collar for bearing journal  
(Model No. : GY/W-C12)

※ Please place an order for collar separately.

Applicable Support Unit

Direct mount : BUIK-12A (Fixed end unit+Supported end unit) Refer to Page.405

Circle flange : BUM-12 (Fixed end unit+Supported end bearing) Refer to Page.412

Company Name	
Telephone	Name of Person in Charge
Company Address	