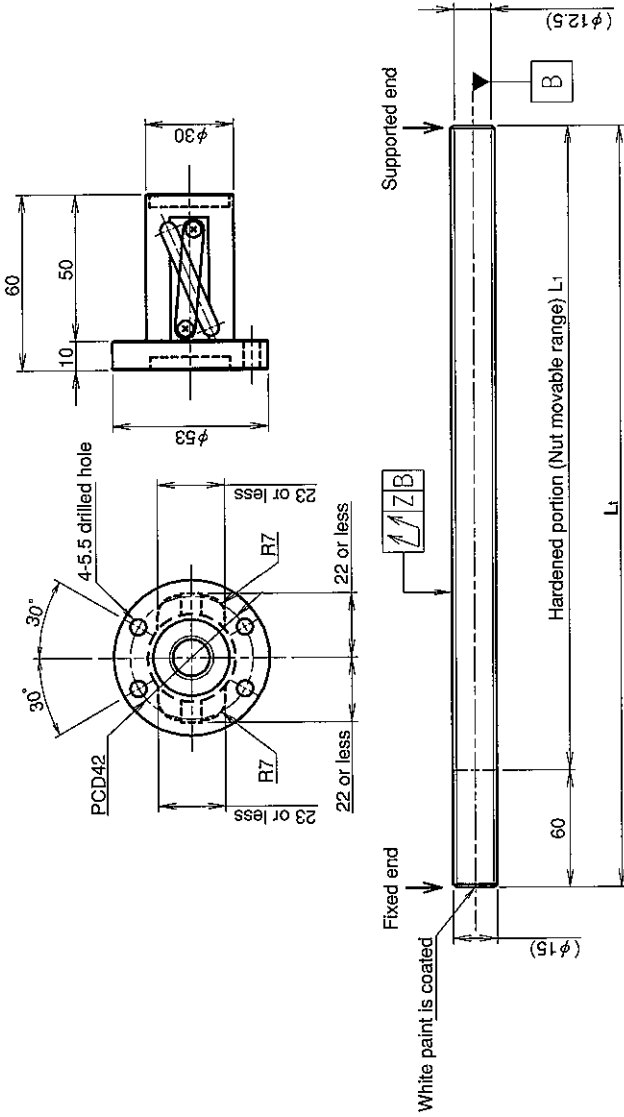


UNFINISHED SHAFT ENDS

Screw shaft diameter $\phi 15$, Lead 20 (T nut)

(Unit : mm)



Ball screw specifications

| | | | |
|--------------------|------------------|---------------------------|---------------------|
| Screw shaft dia. | 15 | Basic dynamic load rating | 5800N |
| Lead | 20 | Basic static load rating | 13300N |
| Thread direction | Right-hand | Lubricant | Alvania Grease No.2 |
| Number of circuits | 1.5turn 2circuit | Surface treatment | Phosphate coating |
| Ball diameter | 3.175 | | |

| Model No. | Axial clearance | L_1 | L_2 | Z | Wiper |
|---------------------|-----------------|-------|-------|-------|----------|
| GY1520BS-CTLR-0600A | ~0.100 | 540 | 600 | 0.140 | Lip seal |
| GY1520BS-CTLR-1200A | | 1140 | 1200 | 0.400 | |

Table of optional specifications for each model

| Additional machining of shaft end | Surface treatment (Note 1) | Difference of grease | Direction of nut removal | Wiper removal |
|--------------------------------------|-------------------------------|-------------------------|--------------------------------|------------------|
| ○ | ○ | ○ | ○ | ○ |

(Note 1) The above-mentioned surface treatment is LD treatment (coating thickness : 1 to 2 μ m).

Notation of standard rolled ball screw

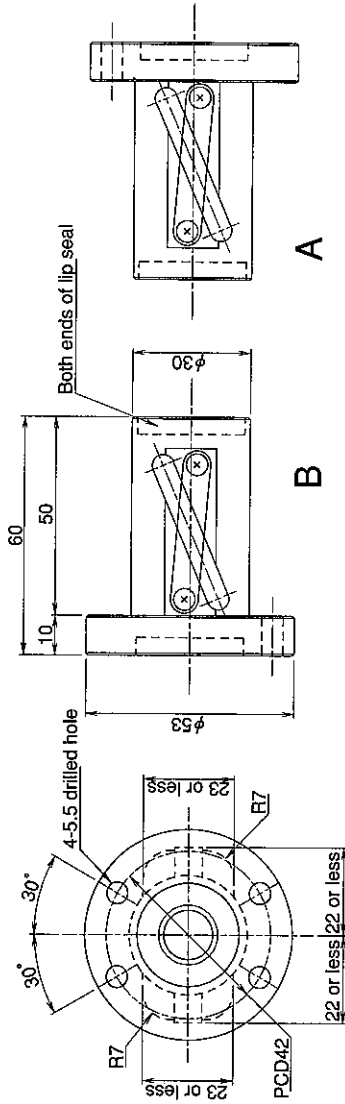
- Standard length shaft without end machining (Matched screw shaft and nut)
GY1520BS-CTLR--CAY
 - Nut only without screw shaft
GY1520BS-CTLR
 - Screw shaft only without end machining
GY1520ZZ-ZZZZ--CAY
- Overall length Thread length

SHAFT END FINISH ORDERING SHEET

Screw shaft diameter $\phi 15$, Lead 20 (T nut)

(Unit : mm)

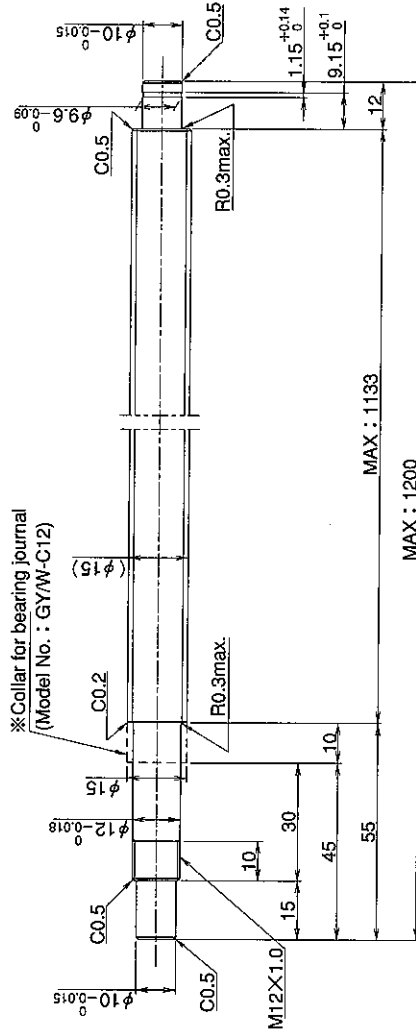
GY1520BS-CTLR- X -CAY



A

B

Select the orientation of nut flange by circling A or B.
No marking means "B" orientation as default.



※Collar for bearing journal
(Model No. : GY/W-C12)

※Please place an order for collar separately.

Applicable Support Unit

Direct mount : BUK-12A (Fixed end unit+Supported end unit) Refer to Page.405

Circle flange : BUM-12 (Fixed end unit+Supported end bearing) Refer to Page.412

| | | |
|-----------------|--|--------------------------|
| Company Name | | |
| Telephone | | Name of Person in Charge |
| Company Address | | |