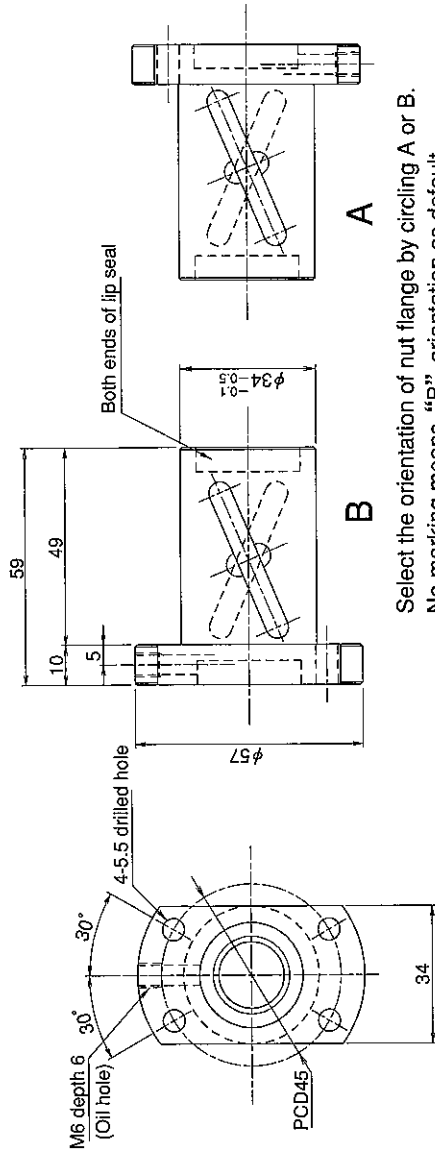


SHAFT END FINISH ORDERING SHEET

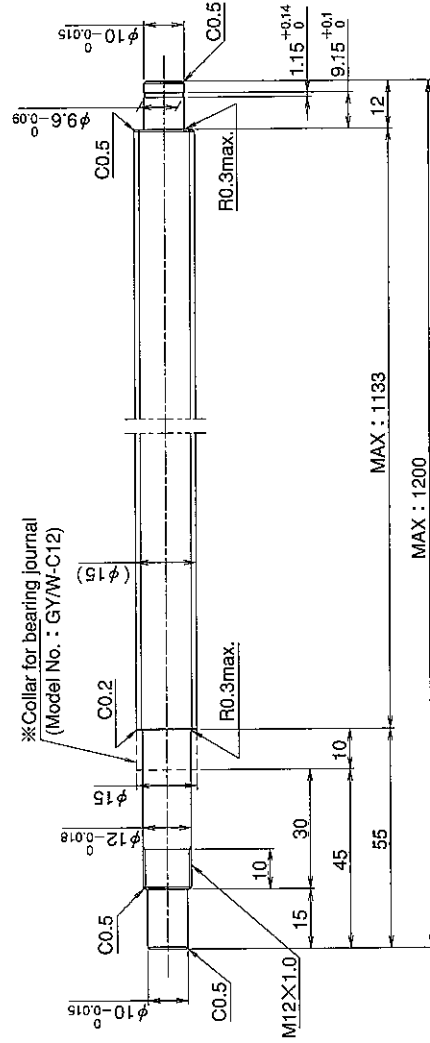
Screw shaft diameter ϕ 15, Lead 20 (U nut)

(Unit : mm)

GY1520BS-HULR- X -CAY



Select the orientation of nut flange by circling A or B.
No marking means "B" orientation as default.



※ Please place an order for collar separately.

Applicable Support Unit

Direct mount : BUK-12A (Fixed end unit) Supported end unit Refer to Page.405

Circle flange : BUM-12 (Fixed end unit) Supported end bearing Refer to Page.412

Company Name		
Telephone		Name of Person in Charge
Company Address		