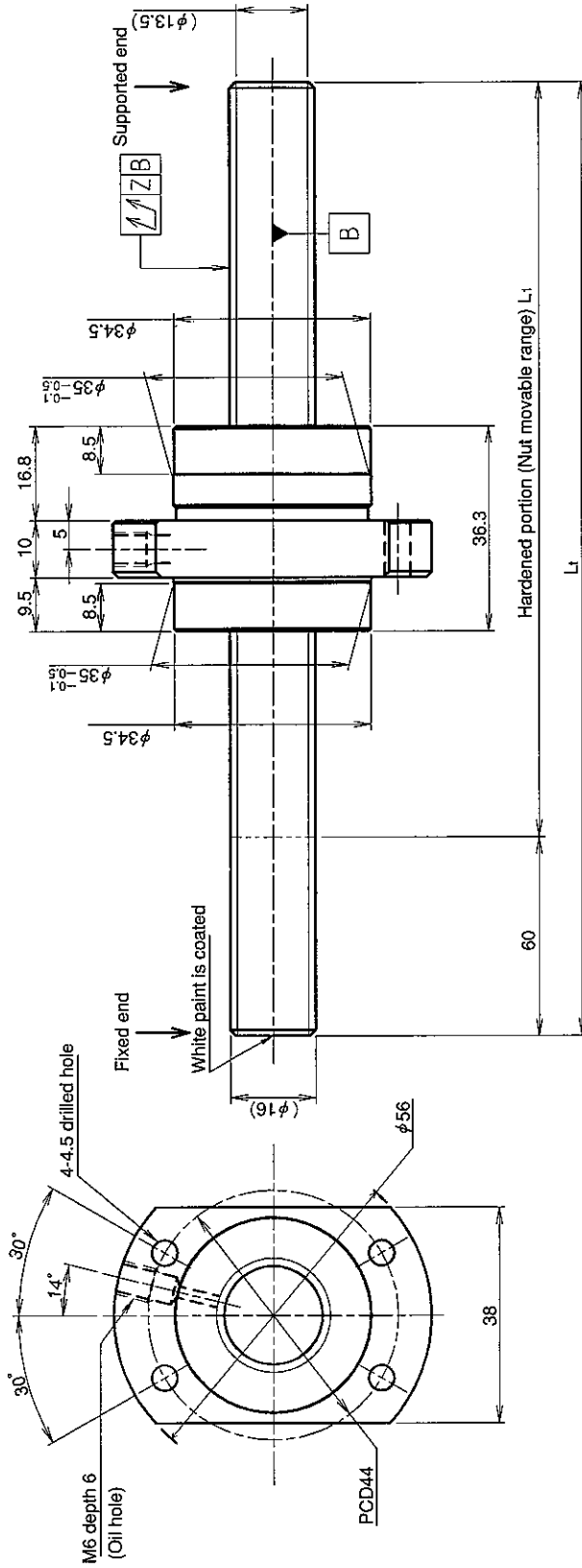


**UNFINISHED SHAFT ENDS**

**Screw shaft diameter  $\phi 16$ , Lead 32 (E nut)**

(Unit : mm)



**Ball screw specifications**

|                    |                   |                           |                     |
|--------------------|-------------------|---------------------------|---------------------|
| Screw shaft dia.   | 16                | Basic dynamic load rating | 4200N               |
| Lead               | 32                | Basic static load rating  | 7700N               |
| Thread direction   | Right-hand        | Lubricant                 | Alvania Grease No.2 |
| Number of circuits | 0.67turn/3circuit | Surface treatment         | Phosphate coating   |
| Ball diameter      | 3.175             |                           |                     |

**Table of optional specifications for each model**

| Additional machining of shaft end | Surface treatment (Note 1) | Difference of grease | Direction of nut | Wiper removal |
|-----------------------------------|----------------------------|----------------------|------------------|---------------|
| ○                                 | ○                          | ○                    | ○                | ×             |

(Note 1) The above-mentioned surface treatment is LD treatment (coating thickness : 1 to 2  $\mu$ m).

| Model No.           | Axial clearance | L <sub>1</sub> | L <sub>t</sub> | Z     | Wiper |
|---------------------|-----------------|----------------|----------------|-------|-------|
| GY1632QS-HEZR-0600A | ~0.100          | 540            | 600            | 0.140 | *     |
| GY1632QS-HEZR-1200A |                 | 1140           | 1200           | 0.400 |       |

\* Asterisked part\* : The lip of the end cap serves as a wiper.

**Notation of standard rolled ball screw**

- Standard length shaft without end machining (Matched screw shaft and nut)  
GY1632QS-HEZR-□□□□X□□□□□-CAY
- Nut only without screw shaft  
GY1632QS-HEZR-□□□□□
- Screw shaft only without end machining  
GY1632ZZ-ZZZZ-□□□□□
- With end machining specified on your drawing (Matched screw shaft and nut)  
GY1632QS-HEZR-□□□□X□□□□□-CAY
- With end machining specified on your drawing (Screw shaft only)  
GY1632ZZ-ZZZZ-□□□□Y□□□□□-CAY

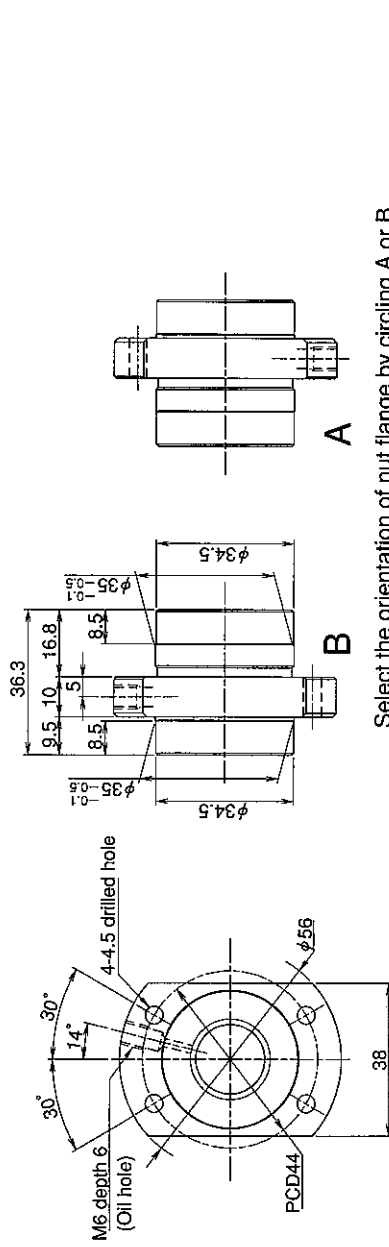
Overall length    Thread length

**SHAFT END FINISH ORDERING SHEET**

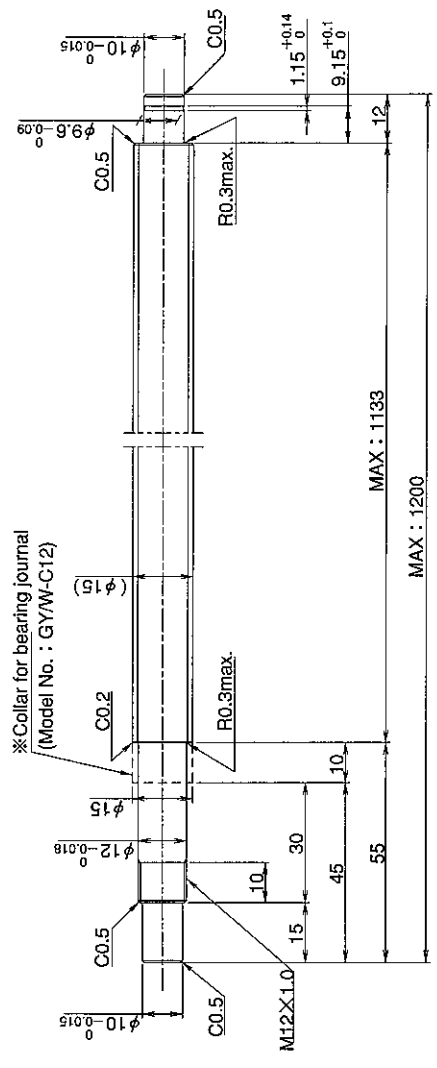
Screw shaft diameter  $\phi 16$ , Lead 32 (E nut)

(Unit : mm)

GY1632QS-HEZR-     X    -CAY



Select the orientation of nut flange by circling A or B.  
No marking means "B" orientation as default.



※ Please place an order for collar separately.  
Applicable Support Unit

Direct mount : BUK-12A (Fixed end unit+Supported end unit) Refer to Page.405

Circle flange : BUM-12 (Fixed end unit+Supported end bearing) Refer to Page.412

|                 |                          |
|-----------------|--------------------------|
| Company Name    |                          |
| Telephone       | Name of Person in Charge |
| Company Address |                          |

Refer to page 24 for NOTATION OF MODEL NUMBER.