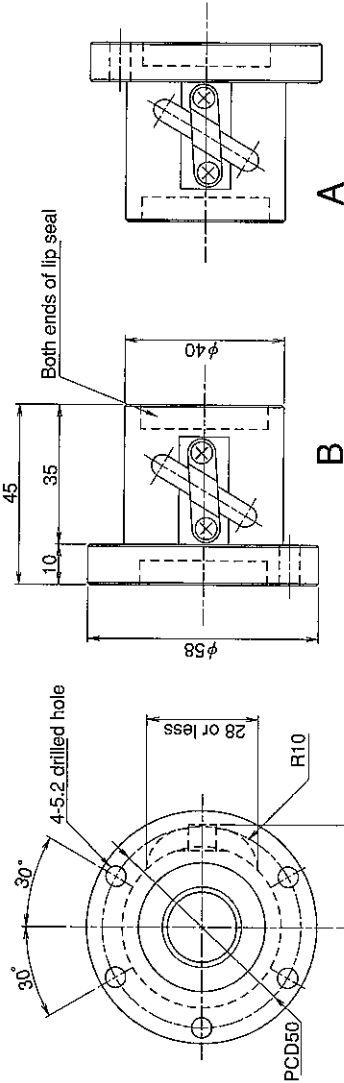


SHAFT END FINISH ORDERING SHEET

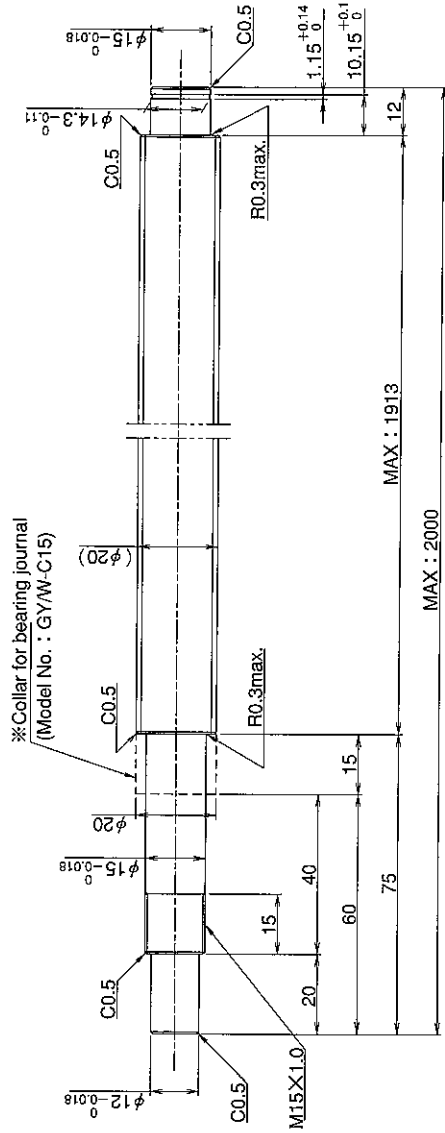
Screw shaft diameter $\phi 20$, Lead 5 (T nut)

(Unit : mm)

GY2005DS-CTLR- X -CAY



Select the orientation of nut flange by circling A or B.
No marking means "B" orientation as default.



※ Please place an order for collar separately.
Applicable Support Unit
Direct mount : BJK-15A (Fixed end unit + Supported end unit) Refer to Page.406
Circle flange : BUM-15 (Fixed end unit + Supported end bearing) Refer to Page.413

Company Name	
Telephone	Name of Person in Charge
Company Address	