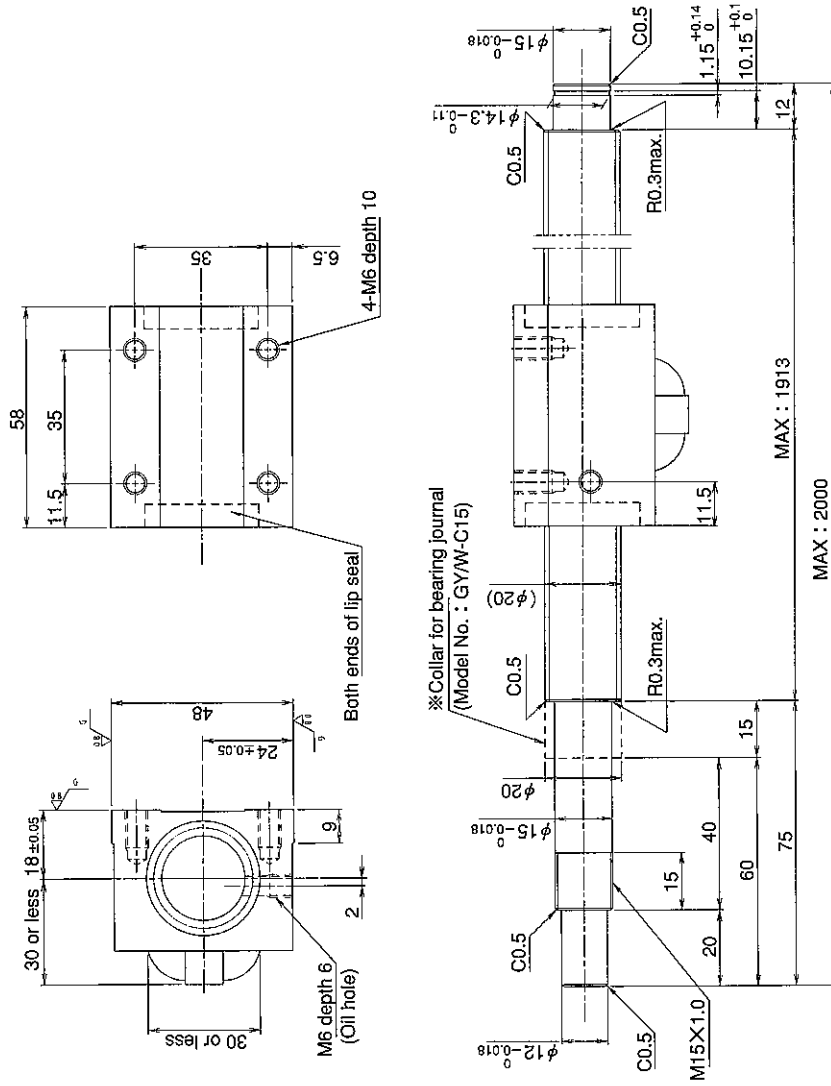


SHAFT END FINISH ORDERING SHEET

Screw shaft diameter $\phi 20$, Lead 10 (K nut)

(Unit : mm)

GY2010DS-NKLR- X -CAY



※ Please place an order for collar separately.
Applicable Support Unit

Direct mount : BUK-15A (Fixed end unit+Supported end unit) Refer to Page.406

Circle flange : BUM-15 (Fixed end unit+Supported end bearing) Refer to Page.413

Company Name	
Telephone	Name of Person in Charge
Company Address	