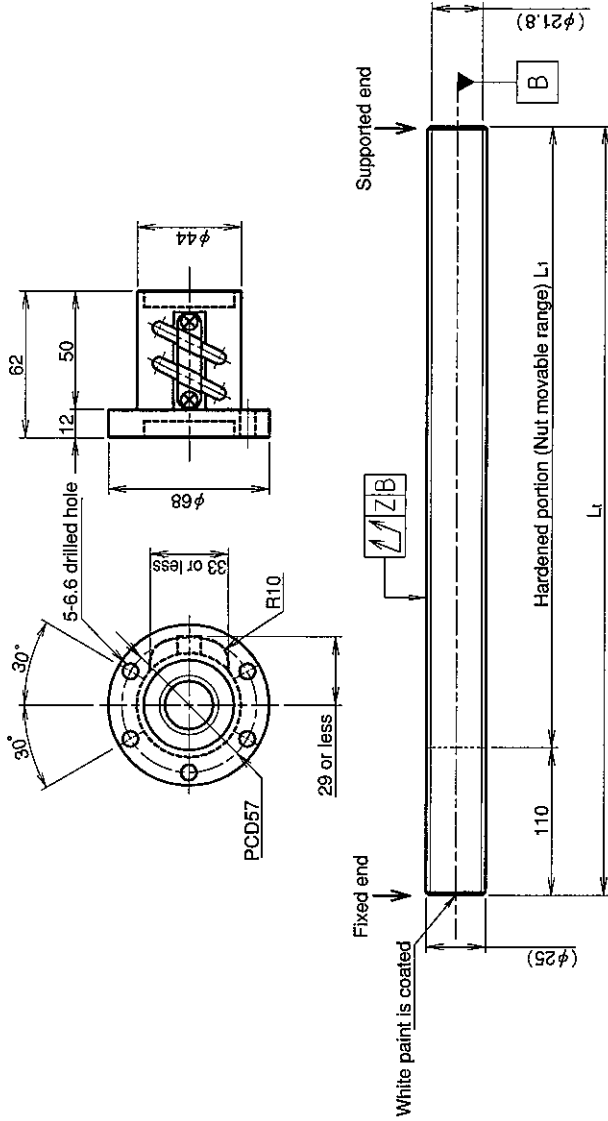


UNFINISHED SHAFT ENDS

(Unit : mm)



Ball screw specifications

Screw shaft dia.	25	Basic dynamic load rating	11900N
Lead	5	Basic static load rating	37300N
Thread direction	Right-hand	Lubricant	Alvania Grease No.2
Number of circuits	2.5turn 2circuit	Surface treatment	Phosphate coating
Ball diameter	3.175		

Model No.	Axial clearance	L ₁	L ₂	Z	Wiper
GY2505ES-CTLR-1000A		890	1000	0.160	
GY2505ES-CTLR-2000A	~0.100	1890	2000	0.400	Lip seal
GY2505ES-CTLR-2500A		2390	2500	0.640	

Table of optional specifications for each model

Additional machining of shaft end	Surface treatment (Note 1)	Difference of grease	Direction of nut	Wiper removal
○	○	○	○	○

(Note 1) The above-mentioned surface treatment is LD treatment (coating thickness : 1 to 2 μm).

Notation of standard rolled ball screw

- Standard length shaft without end machining (Matched screw shaft and nut)
GY2505ES-CTLR-□□□□X□□□□□-CAY
- Nut only without screw shaft
GY2505ES-CTLR
- Screw shaft only without end machining
GY2505ZZ-ZZZZ-□□□□□

- With end machining specified on your drawing (Matched screw shaft and nut)
GY2505ES-CTLR-□□□□X□□□□□-CAY
- With end machining specified on your drawing (Screw shaft only)
GY2505ZZ-ZZZZ-□□□□Y□□□□□-CAY

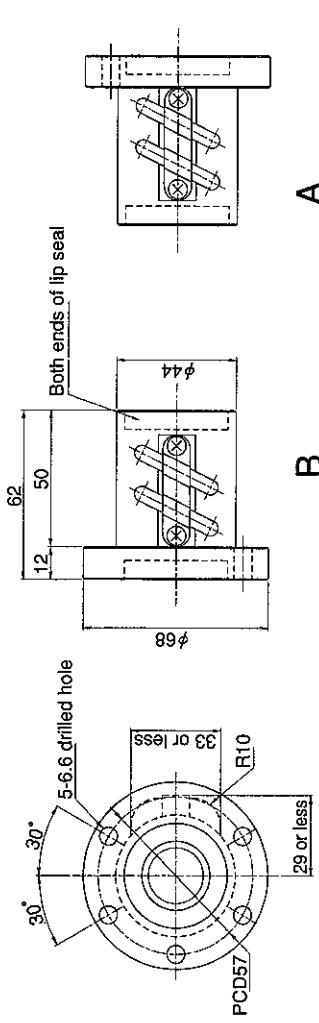
Overall length Thread length

SHAFT END FINISH ORDERING SHEET

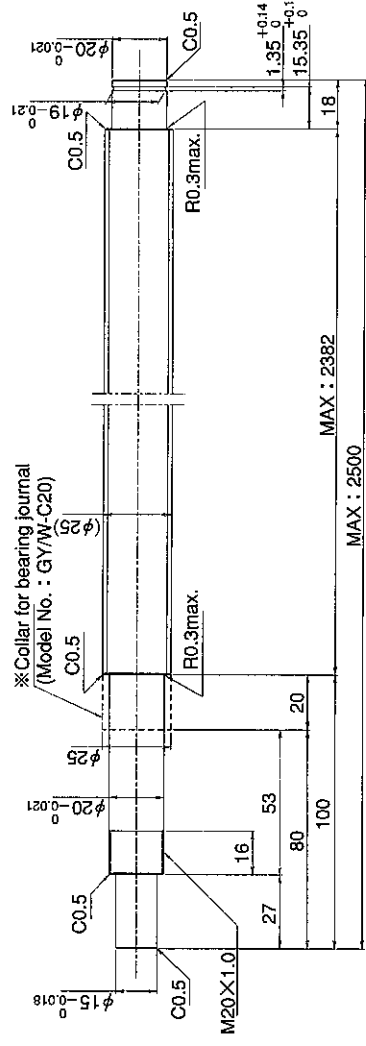
Screw shaft diameter $\phi 25$, Lead 5 (T nut)

(Unit : mm)

GY2505ES-CTLR- X -CAY



A
B
 Select the orientation of nut flange by circling A or B.
 No marking means "B" orientation as default.



※ Please place an order for collar separately.
 Applicable Support Unit
 Direct mount : BUK-20A (Fixed end unit + Supported end unit) Refer to Page.407
 Circle flange : BUM-20 (Fixed end unit + Supported end bearing) Refer to Page.414

Company Name	
Telephone	Name of Person in Charge
Company Address	