

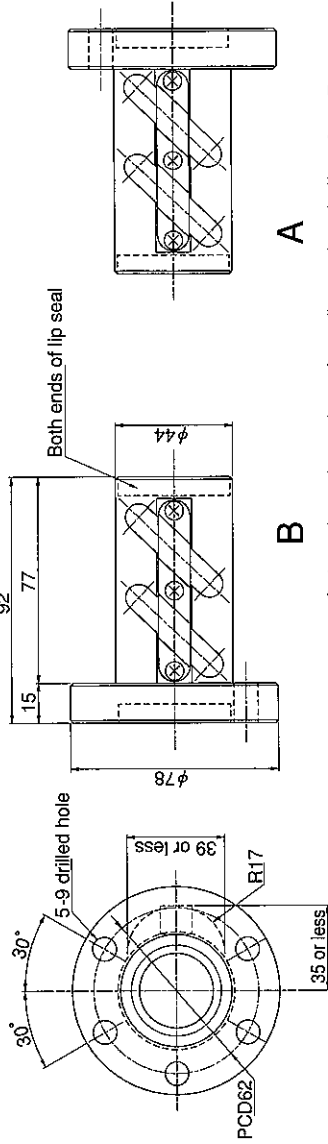


**SHAFT END FINISH ORDERING SHEET**

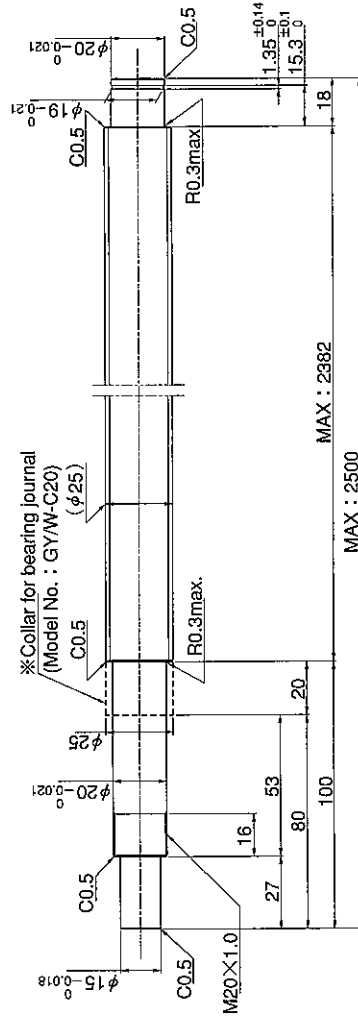
**Screw shaft diameter  $\phi 25$ , Lead 10 (T nut)**

(Unit : mm)

GY2510ES-CTLR-     X     -CAY



Select the orientation of nut flange by circling A or B.  
No marking means "B" orientation as default.



※ Please place an order for collar separately.

Applicable Support Unit

Direct mount : BUK-20A (Fixed end unit+Supported end unit) Refer to Page.407

Circle flange : BUM-20 (Fixed end unit+Supported end bearing) Refer to Page.414

Company Name	
Telephone	Name of Person in Charge
Company Address	