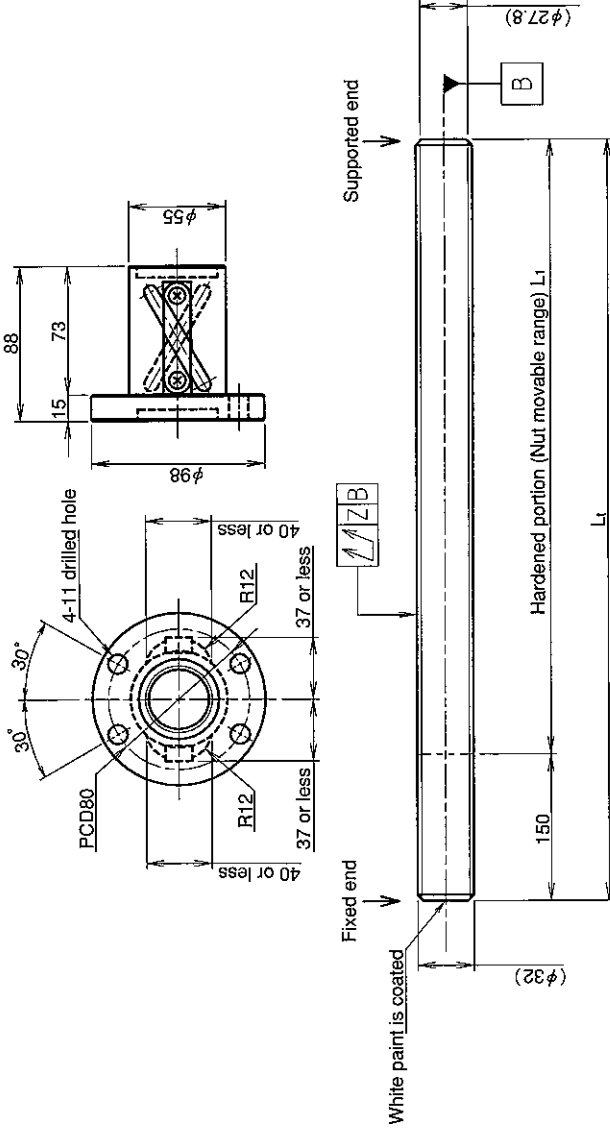


UNFINISHED SHAFT ENDS

Screw shaft diameter $\phi 32$, Lead 32, Lead 32 (T nut)

(Unit : mm)



Ball screw specifications

| | | | |
|--------------------|-------------------|---------------------------|---------------------|
| Screw shaft dia. | 32 | Basic dynamic load rating | 14600N |
| Lead | 32 | Basic static load rating | 38900N |
| Thread direction | Right-hand | Lubricant | Alvania Grease No.2 |
| Number of circuits | 1.5turn 2circuits | Surface treatment | Phosphate coating |
| Ball diameter | 4.7625 | | |

| Model No. | Axial clearance | L ₁ | L _t | Z | Wiper |
|---------------------|-----------------|----------------|----------------|-------|-------------|
| GY3232BS-CTBR-1000A | ~0.150 | 850 | 1000 | 0.120 | Brush wiper |
| GY3232BS-CTBR-2000A | | 1850 | 2000 | 0.240 | |
| GY3232BS-CTBR-3000A | | 2850 | 3000 | 0.640 | |

Table of optional specifications for each model

| Additional machining of shaft end | Surface treatment (Note 1) | Difference of grease | Direction of nut removal | Wiper removal |
|-----------------------------------|----------------------------|----------------------|--------------------------|---------------|
| ○ | ○ | ○ | ○ | ○ |

(Note 1) The above-mentioned surface treatment is LD treatment (coating thickness : 1 to 2 μ m).

Notation of standard rolled ball screw

- Standard length shaft without end machining (Matched screw shaft and nut)
GY3232BS-CTBR-□□□□X□□□□□□□□-CAY
- Nut only without screw shaft
GY3232BS-CTBR
- Screw shaft only without end machining
GY3232ZZ-ZZZZ-□□□□□□□□□□D

- With end machining specified on your drawing (Matched screw shaft and nut)
GY3232BS-CTBR-□□□□X□□□□□□□□-CAY
- With end machining specified on your drawing (Screw shaft only)
GY3232ZZ-ZZZZ-□□□□Y□□□□□□□□-CAY

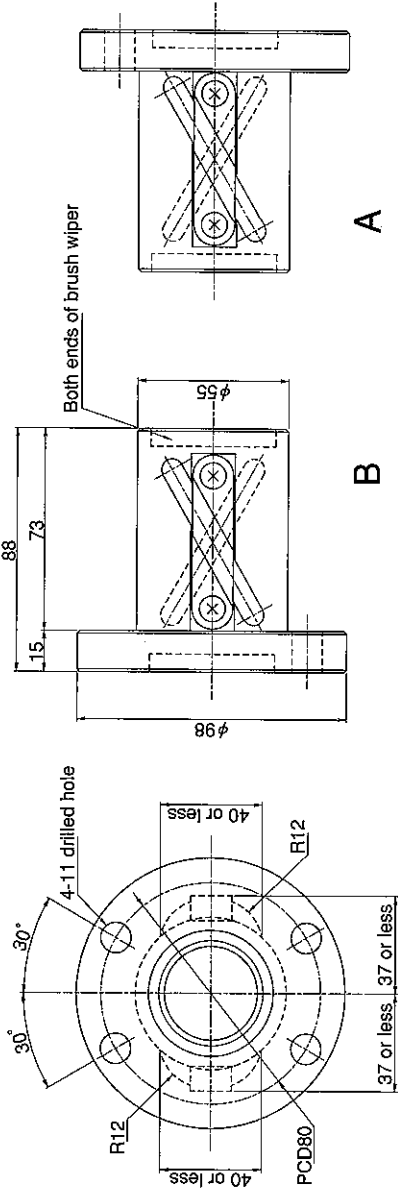
Overall length Thread length

SHAFT END FINISH ORDERING SHEET

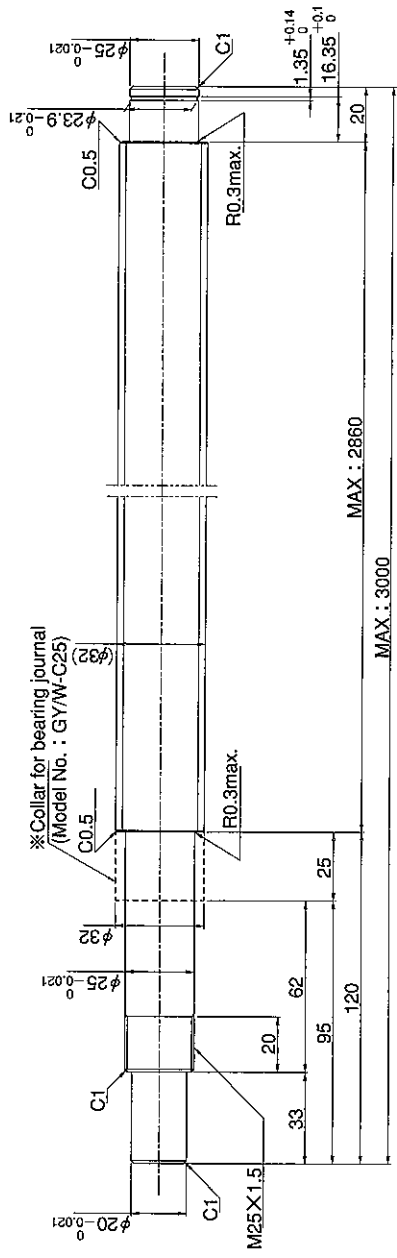
Screw shaft diameter $\phi 32$, Lead 32 (T nut)

(Unit : mm)

GY3232BS-CTBR- X -CAY



Select the orientation of nut flange by circling A or B.
No marking means "B" orientation as default.



※ Please place an order for collar separately.
Applicable Support Unit

Direct mount : BUK-25A (Fixed end unit+Supported end unit) Refer to Page.408
Circle flange : BUM-25 (Fixed end unit+Supported end bearing) Refer to Page.415

| | |
|-----------------|--------------------------|
| Company Name | |
| Telephone | Name of Person in Charge |
| Company Address | |

Refer to page 24 for NOTATION OF MODEL NUMBER.