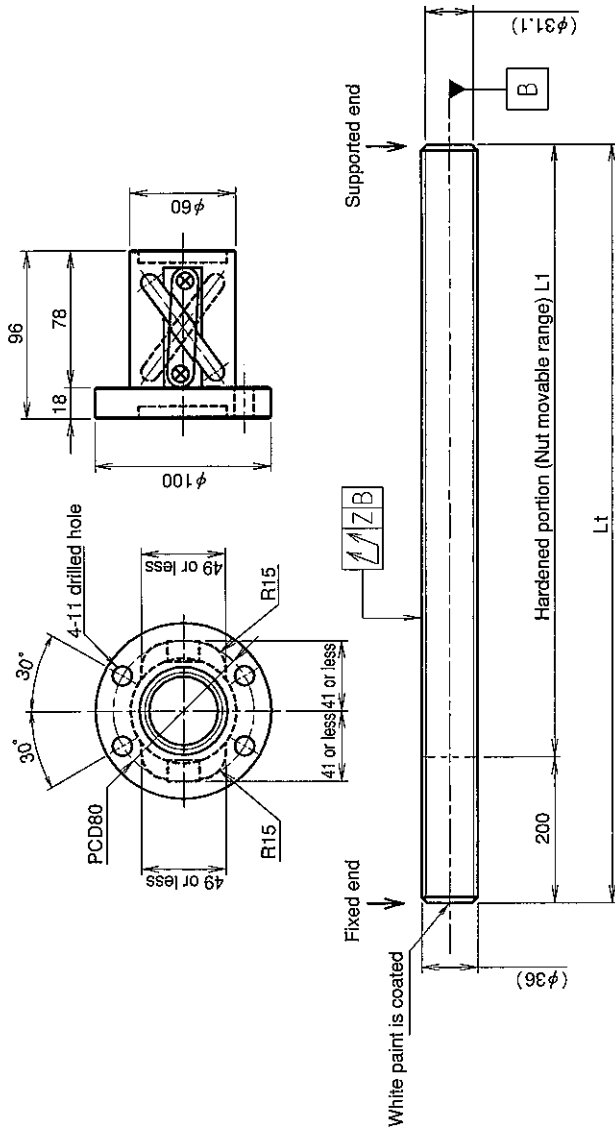


# UNFINISHED SHAFT ENDS

# Screw shaft diameter $\phi 36$ , Lead 20 (T nut)

(Unit : mm)



### Ball screw specifications

|                    |            |                           |                     |
|--------------------|------------|---------------------------|---------------------|
| Screw shaft dia.   | 36         | Basic dynamic load rating | 35100N              |
| Lead               | 20         | Basic static load rating  | 98200N              |
| Thread direction   | Right-hand | Lubricant                 | Alvania Grease No.2 |
| Number of circuits | 2.5turn    | Surface treatment         | Phosphate coating   |
| Ball diameter      | 6.350      |                           |                     |

### Table of optional specifications for each model

| Additional machining<br>of shaft end | Surface treatment<br>(Note 1) | Difference<br>of grease | Direction<br>of nut   | Wiper<br>removal      |
|--------------------------------------|-------------------------------|-------------------------|-----------------------|-----------------------|
| <input type="radio"/>                | <input type="radio"/>         | <input type="radio"/>   | <input type="radio"/> | <input type="radio"/> |

(Note 1) The above-mentioned surface treatment is LD treatment  
(coating thickness : 1 to 2  $\mu\text{m}$ ).

| Model No.           | Axial clearance | L <sub>1</sub> | Z     | Wiper       |
|---------------------|-----------------|----------------|-------|-------------|
| GY3620ES-CTBR-1000A | ~0.200          | 800            | 0.120 | Brush wiper |
| GY3620ES-CTBR-2000A |                 | 1800           | 0.240 |             |
| GY3620ES-CTBR-3000A |                 | 2800           | 0.630 |             |

### Notation of standard rolled ball screw

- Standard length shaft without end machining (Matched screw shaft and nut)  
GY3620ES-CTBR-□□□□X□□□□□□-CAY
- Nut only without screw shaft  
GY3620ES-CTBR
- Screw shaft only without end machining  
GY3620ZZ-ZZZZ-□□□□□□□D

- With end machining specified on your drawing (Matched screw shaft and nut)  
GY3620ES-CTBR-□□□□X□□□□□□-CAY
- With end machining specified on your drawing (Screw shaft only)  
GY3620ZZ-ZZZZ-□□□□Y□□□□□□-CAY

Overall length     Thread length

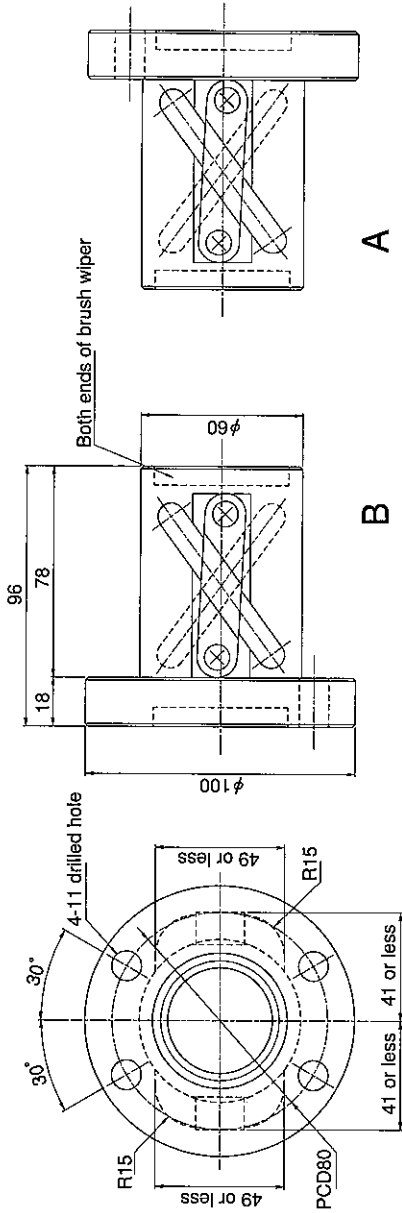
**KURODA** Standard Rolled Ball Screw : GY Series (Accuracy grade C10)

**SHAFT END FINISH ORDERING SHEET**

Screw shaft diameter  $\phi 36$ , Lead 20 (T nut)

(Unit : mm)

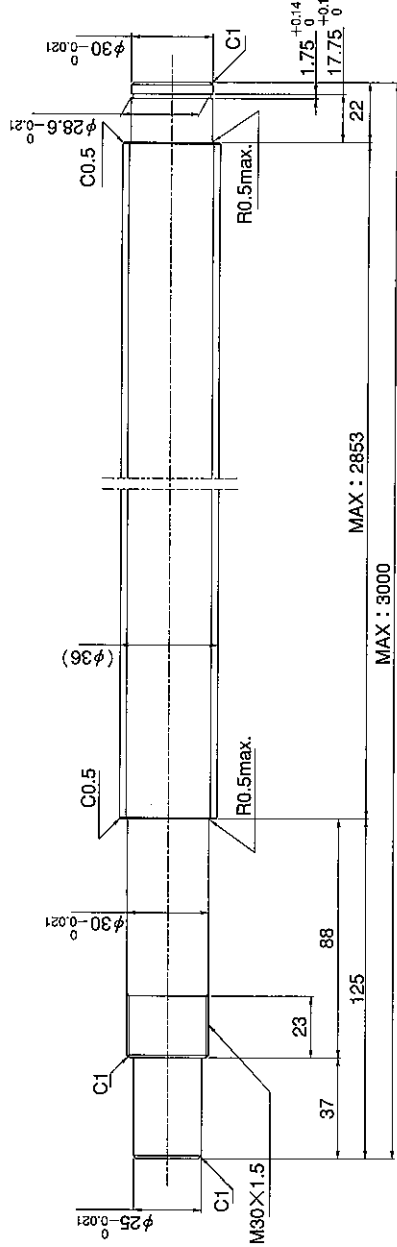
GY3620ES-CTBR-     X    -CAY



**B**

**A**

Select the orientation of nut flange by circling A or B.  
No marking means "B" orientation as default.



Applicable Support Unit  
BUT-30 (Fixed end unit) Refer to Page.420

|                 |                          |
|-----------------|--------------------------|
| Company Name    |                          |
| Telephone       | Name of Person in Charge |
| Company Address |                          |

Refer to page 24 for NOTATION OF MODEL NUMBER.