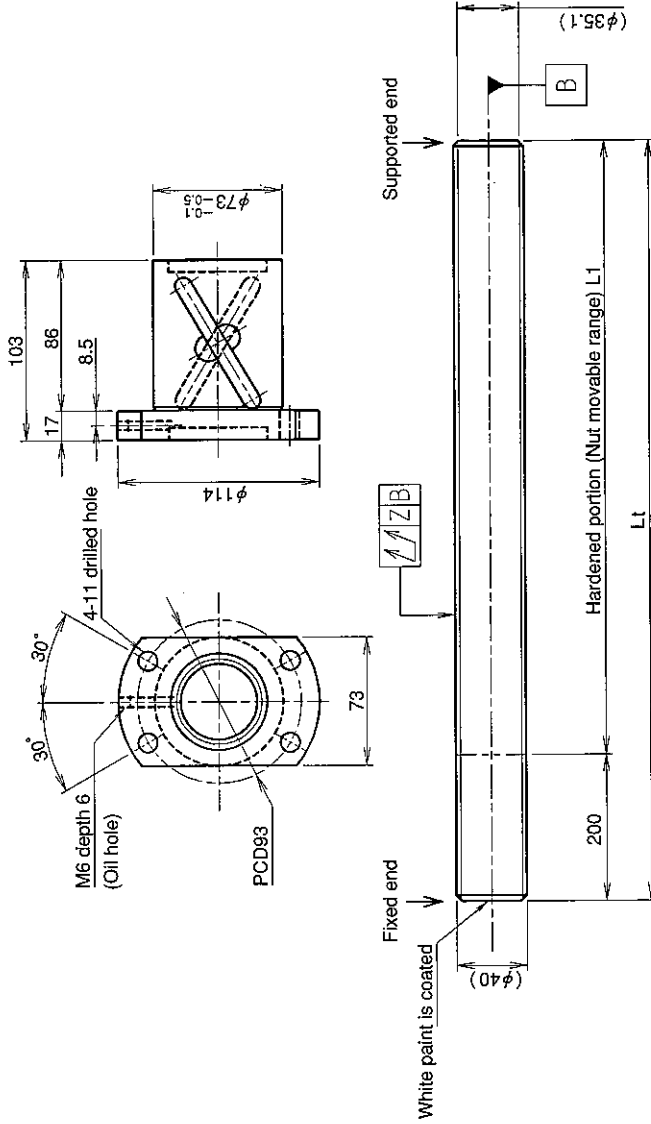


UNFINISHED SHAFT ENDS

Screw shaft diameter $\phi 40$, Lead 40 (U nut)

(Unit : mm)



Ball screw specifications

Screw shaft dia.	40	Basic dynamic load rating	23900N
Lead	40	Basic static load rating	66900N
Thread direction	Right-hand	Lubricant	Alvania Grease No.2
Number of circuits	1.5turn 2circuit	Surface treatment	Phosphate coating
Ball diameter	6.350		

Model No.	Axial clearance	L _t	Z	Wiper
GY4040BS-HUBR-2000A		1800	0.240	
GY4040BS-HUBR-3000A	~0.200	2800	0.400	Brush wiper
GY4040BS-HUBR-4000A		3800	0.640	

Table of optional specifications for each model

Additional machining of shaft end	Surface treatment (Note 1)	Difference of grease	Direction of nut removal	Wiper removal
○	○	○	○	○

(Note 1) The above-mentioned surface treatment is LD treatment (coating thickness : 1 to 2 μ m).

Notation of standard rolled ball screw

- Standard length shaft without end machining (Matched screw shaft and nut)
GY4040BS-HUBR-□□□□X□□□□□-CAY
- Nut only without screw shaft
GY4040BS-HUBR
- Screw shaft only without end machining
GY4040ZZ-ZZZZ-□□□□□□□□□□

- With end machining specified on your drawing (Matched screw shaft and nut)
GY4040BS-HUBR-□□□□X□□□□□-CAY
- With end machining specified on your drawing (Screw shaft only)
GY4040ZZ-ZZZZ-□□□□Y□□□□□-CAY

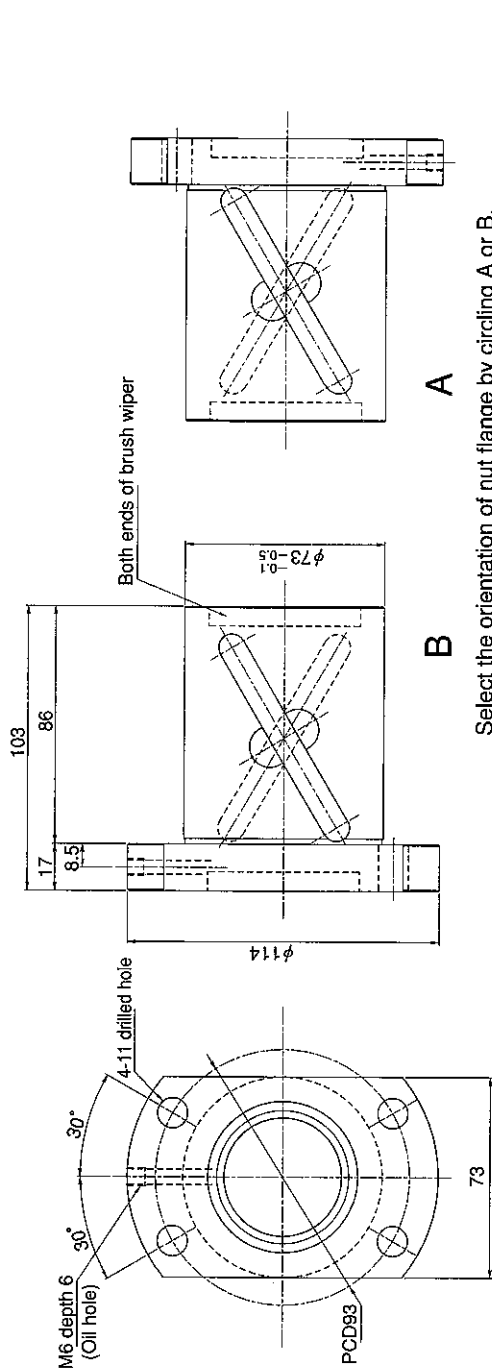
Overall length Thread length

SHAFT END FINISH ORDERING SHEET

Screw shaft diameter $\phi 40$, Lead 40 (U nut)

(Unit : mm)

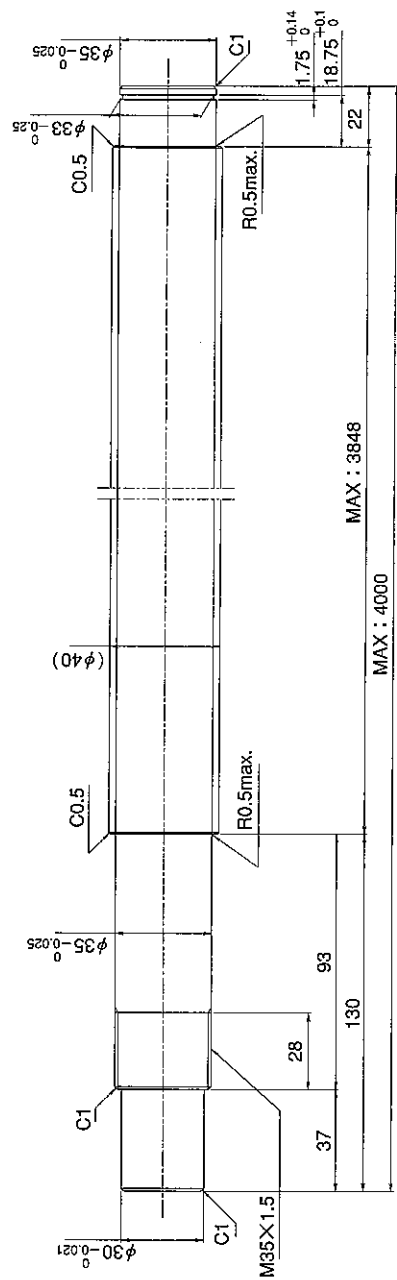
GY4040BS-HUBR- X -CAY



A

B

Select the orientation of nut flange by circling A or B.
No marking means "B" orientation as default.



Applicable Support Unit
BUT-35 (Fixed end unit) Refer to Page.421

Company Name	
Telephone	Name of Person in Charge
Company Address	