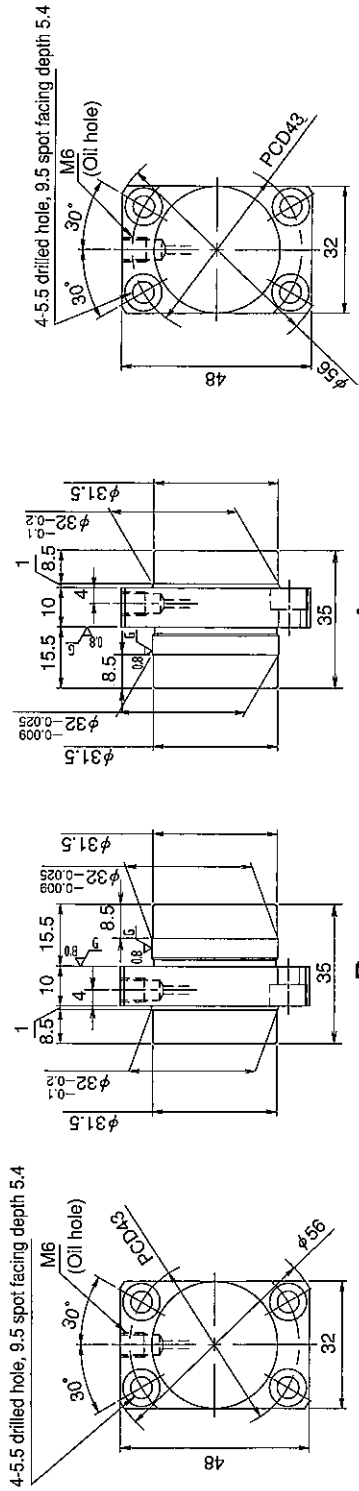


SHAFT END FINISH ORDERING SHEET

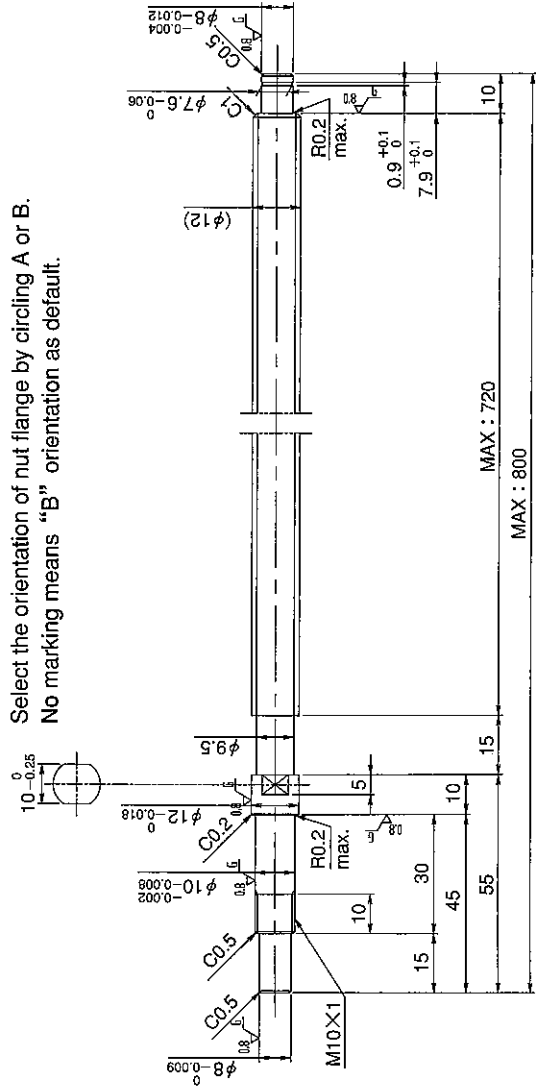
Screw shaft diameter ϕ 12, Lead 30

(Unit : mm)

HG1230QS-BEZR- X -C5H



Select the orientation of nut flange by circling A or B.
No marking means "B" orientation as default.



Applicable Support Unit

Direct mount : BUK-10A (Fixed end unit+Supported end unit) Refer to Page.404

Circle flange : BUM-10 (Fixed end unit+Supported end bearing) Refer to Page.411

Company Name	
Telephone	Name of Person in Charge
Company Address	