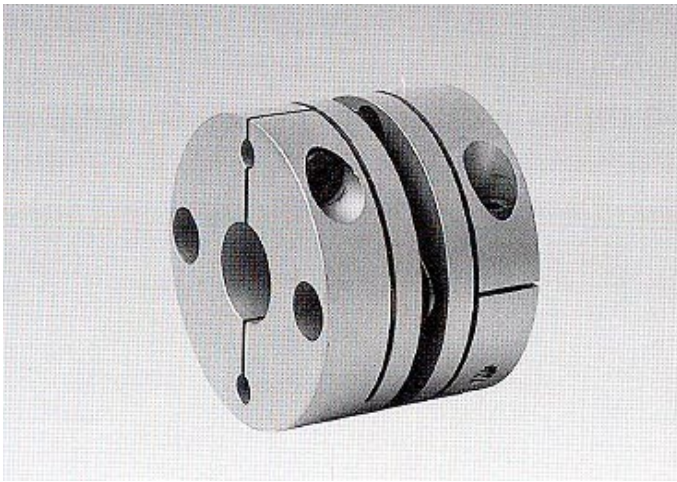


SFC - SD SERVOFLEX



- **Easy mounting by perfect monoblock construction**
Shaft bores are drilled and shaft clamps are provided as subassemblies. Quick and correct mounting is assured.
- **Application-oriented specification**
Specifications and dimensions are tailored for use in digital servo motors.
- **High quality**
Flanges and spacers are made of extra super duralumin and plate springs are made of stainless steel.

Specification

Model	SFC-010SD	SFC-020SD	SFC-030SD	SFC-035SD	SFC-040SD	SFC-050SD	SFC-060SD ²	SFC-080SD ²
Permissible Torque [N·m]	1.0	1.5	3.0	6.0	9.0	25.0	60	100
Maximum Speed [r/min]	10000	10000	10000	10000	10000	10000	10000	10000
Torsional Spring Constant [N·m/rad]	220	750	1700	2600	3500	8600	22000	40000
Axial Spring Constant [N/mm]	140	64	64	56	40	48	76.4	54.8
¹ Inertia [kg·m ²]	0.67×10^{-6}	2.0×10^{-6}	7.6×10^{-6}	19.3×10^{-6}	27×10^{-6}	105.3×10^{-6}	312.9×10^{-6}	820×10^{-6}
Maximum Permissible misalignment	Parallel offset [mm]	----	----	----	----	----	----	----
	Angular misalignment [°]	1	1	1	1	1	1	1
	Axial Displacement [mm]	±0.1	±0.15	±0.2	±0.25	±0.3	±0.4	±0.55
¹ Mass [g]	12	25	44	83	91	221	450	1000

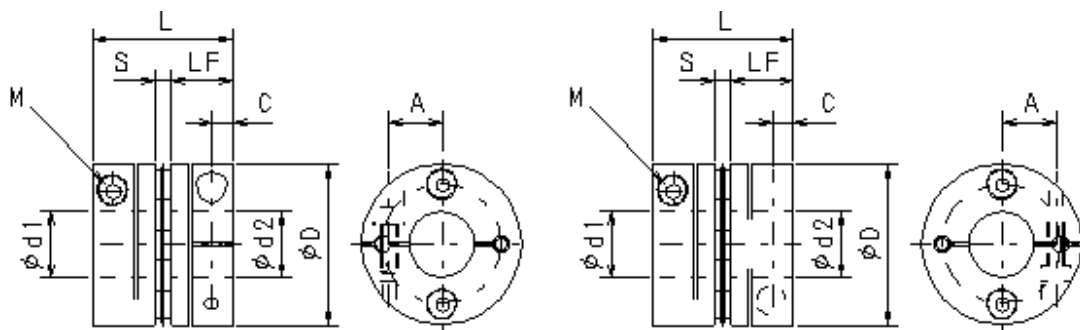
• Values marked with the ¹ symbol apply for the maximum bore diameter.

• Items marked with the ² symbol is available by special order only. For further details, please contact us.

■ Ordering Information : Specify

SFC - ■ SD ■ B - ■ B

Design Types and Dimensions



Model	SFC-010SD	SFC-020SD	SFC-030SD	SFC-035SD	SFC-040SD	SFC-050SD	SFC-060SD ²	SFC-080SD ²
d1·d2	4·5·6·7·8	5·6·7·8·9·10	8·9·10·11·12·14	10·11·12·14·15·16	11·12·14·15·16·19	14·15·16·20·22·24	---	---
Standard	4·5·6·7·8	5·6·7·8·9·10	8·9·10·11·12·14	10·11·12·14·15·16	11·12·14·15·16·19	14·15·16·20·22·24	---	---
Min	4	5	6	8	8	10	15	20
Max	8	10	14	16	19	25	30	35
D	19	26	34	39	44	56	68	82
L	19.9	23.5	27.1	34.1	34.1	45	54	68
LF	9	10.5	12	15	15	20	24	30
S	1.9	2.5	3.1	4.1	4.1	5	6	8
A	5.8	9.5	12.5	13	16	21	25	28
C	3	3.5	4	5	5	7	8	9
M	2-M2.5 ₁	2-M2.5	2-M3	2-M4	2-M4	2-M5	2-M6	2-M8

- Values marked with the ¹ symbol, applies just for when d1 or d2 is between 4 and 7. When d1 or d2 is 8, the screw is changed to 2-M2. (Clamping screw should be tighten to the specified torque.)
- Item marked with the ² symbol are available by special order only. For the further information, please contact us.
- The recommended tolerance for the shaft on to which the coupling is to be mounted is h7. (Manufacturing dimensional tolerance of the shaft 35 is $\begin{matrix} +0.010 \\ -0.020 \end{matrix}$)