

Rexroth Ball Rail Systems

Low Profile Runner Blocks, Steel Version

Runner Block 1693-

Standard Width, low profile

Special versions:

Runner blocks in accuracy class N (clearance and preload 0.02 C) are also available:

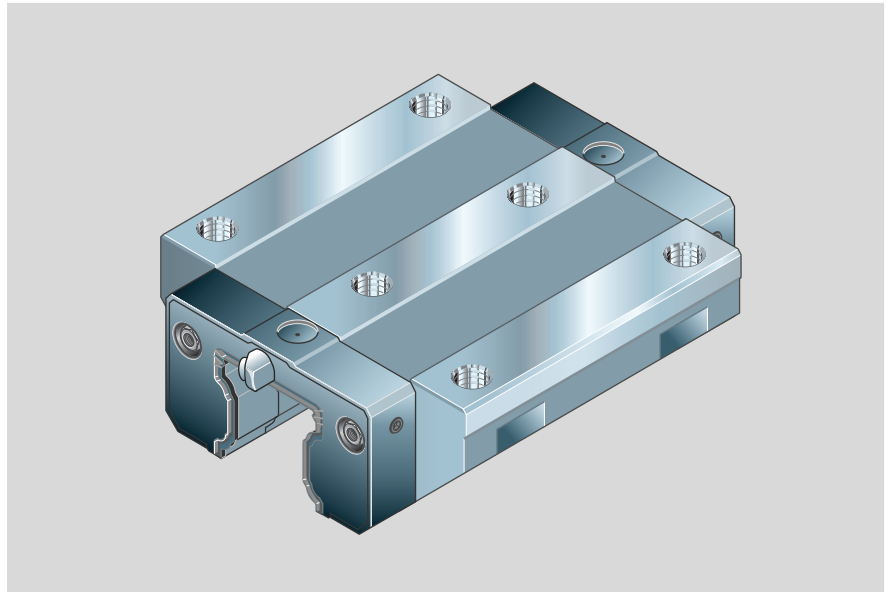
- with low friction seals (part numbers 16...4-11).

Dynamic characteristics

Speed $v_{\max} = 3 \text{ m/s}$

Acceleration $a_{\max} = 250 \text{ m/s}^2$

Other technical data, see chapter "General Technical Data and Calculations".



Part numbers

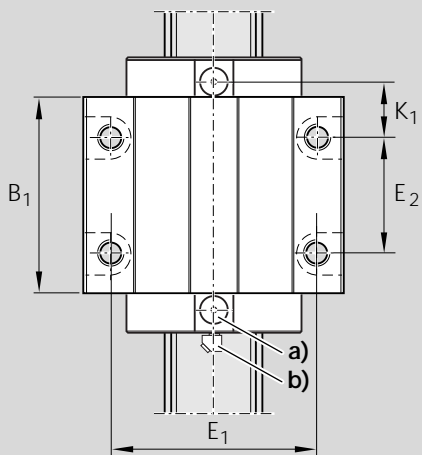
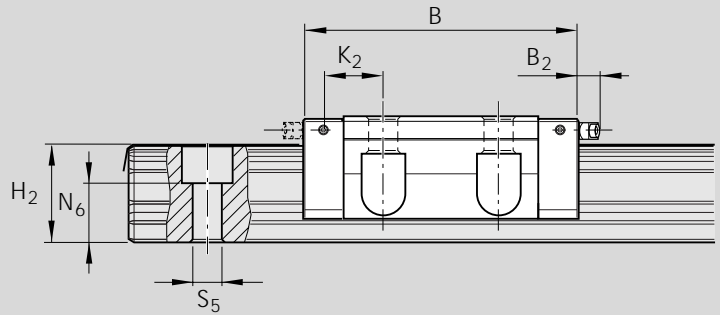
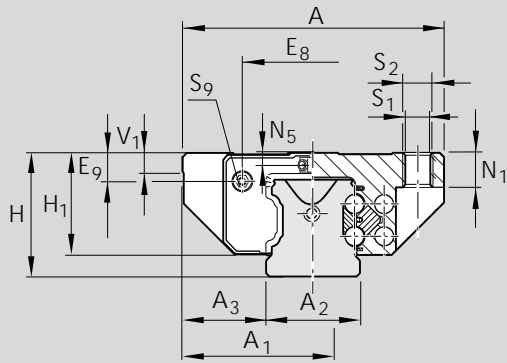
Size	Accuracy class	Part numbers for runner blocks for preload class	
		up to approx. 10 μm clearance	Preload 0.02 C
20	H	1693-893-10	1693-813-10
	N	1693-894-10	1693-814-10
25	H	1693-293-10	1693-213-10
	N	1693-294-10	1693-214-10

Note on dynamic load capacities and moments (see table)

Determination of dynamic load capacities and moments is based on a travel life of 100 000 m.

However, frequently this is determined on the basis of only 50 000 m.

In this case for comparison: multiply values **C**, **M_t** and **M_l** by 1.26 in accordance with Rexroth table.



a) For O-ring dia. 5 · 1 mm
Open lube bore as required.
Send for instructions.

b) Lube nipple
Funnel-type nipple
Type B – Thread size M3
B₂ = 8 mm

Lube port with additional anti-twist feature.

Connection possible at either end.

Lube nipple size 25:
side connections present

Dimensions (mm)

Size	A	A ₁	A ₂	A ₃	B	B ₁	H	H ₁	H ₂ ¹⁾	H ₂ ²⁾	V ₁	E ₁	E ₂	E ₈	E ₉	K ₁	K ₂	N ₁
20	59	29.5	20	19.5	72.5	49.6	28	23.0	20.7	20.55	6.0	49	32	30.5	5.6	13.0	–	7.7
25	73	36.5	23	25.0	81.0	57.8	33	26.5	24.4	24.25	7.5	60	35	38.3	8.5	16.6	17.0	9.3

¹⁾ Dimension H₂ with rail seal cover strip

²⁾ Dimension H₂ without rail seal cover strip.

Size	Dimensions (mm)							Mass (kg)	Load capacities (N)		Moments (Nm)			
	N ₅	N ₆ ^{±0.5}	S ₁	S ₂	S ₅	S ₉	C dyn.		C ₀ stat.	M _t dyn.	M _{t0} stat.	M _L dyn.	M _{L0} stat.	
20	3.6	13.2	5.4	M6	6.0	M3-5 deep	0.40	14 500	24 400	190	310	100	165	
25	4.1	15.2	6.8	M8	7.0	M3-5 deep	0.60	22 800	30 400	320	430	180	240	